

DS-D5243U3-1V0D
43 inch UHD Decoder Monitor



- Ultra HD 3840 ×2160 @60 Hz.
- Support H.265、 H.264、 MPEG4、 MJPEG video codec
- Support PS, RTP (H.265, H.264, MJPEG, MPEG2-TS)
- Maximum 36CH Video Decoding Channel
- 1-screen layout support max. 32MP
- Support ONVIF, RTSP camera protocol
- Dual interface with HDMI, USB 2.0, RJ45
- Support local UI, Web UI

▪ Specification

Video Decoding	
Video Decoding Format	H.264 , H.265 , Smart264 , Smart265 , MJPEG
Decoding Resolution	Max. 32 MP
Video Decoding Channel	Max 36CH
Video Decoding Capability	<p>1) H.264/H.265 format: Supports decoding 1-channel 32 MP/24 MP, 2-channel 12 MP, 4-channel 8 MP, 5-channel 6 MP, 9-channel 4 MP, 16-channel 1080p, 32-channel 720p, 36-channel D1 and lower resolution @ 30 fps in real time.</p> <p>2) MJPEG format: Supports decoding 4-channel of 1080p and lower resolution @ 25 fps in real time.</p> <p>3) HIK264 format: Supports decoding 2-channel of 720p and lower resolution @ 25 fps in real time.</p>
Encrypted Stream Decoding Channel	Max 16CH
Encrypted Stream Decoding Capability	<p>1) H.264/H.265 format: Supports decoding 1-channel 32 MP/24 MP, 2-channel 12 MP, 4-channel 8 MP, 5-channel 6 MP, 9-channel 4 MP, 16-channel 1080p, 32-channel 720p, 36-channel D1 and lower resolution @ 30 fps in real time.</p> <p>2) MJPEG format: Supports decoding 4-channel of 1080p and lower resolution @ 25 fps in real time.</p> <p>3) HIK264 format: Supports decoding 2-channel of 720p and lower resolution @ 25 fps in real time.</p>
Screen Split Quantity	1/4/6/8/9/16/25/36
Scene Quantity	4
Contingency Plan Quantity	1
Audio Decoding	Supported
Display	
Screen Size	43 inch
Active Display Area	941.184 (H) mm × 529.416 (V) mm
Resolution	3840 × 2160 @60 Hz
Backlight	D-LED
Pixel Pitch	0.2451 (H)mm × 0.2451 (V) mm
Brightness	300 cd/m ²
Viewing Angle	178° / 178°
Color Depth	8 bit+FRC
Contrast Ratio	4000 : 1
Response Time	6.5 ms (typ)
Refresh Rate	60 Hz
Haze	Haze 25%, 3H
Color Gamut	72% NTSC
Reliability	7 * 24H
Interface	
Video & Audio Input	HDMI 2.0 ×1
Video & Audio Output	Speaker Out × 2 (8Ω 10W), Line-out 3.5mm × 1

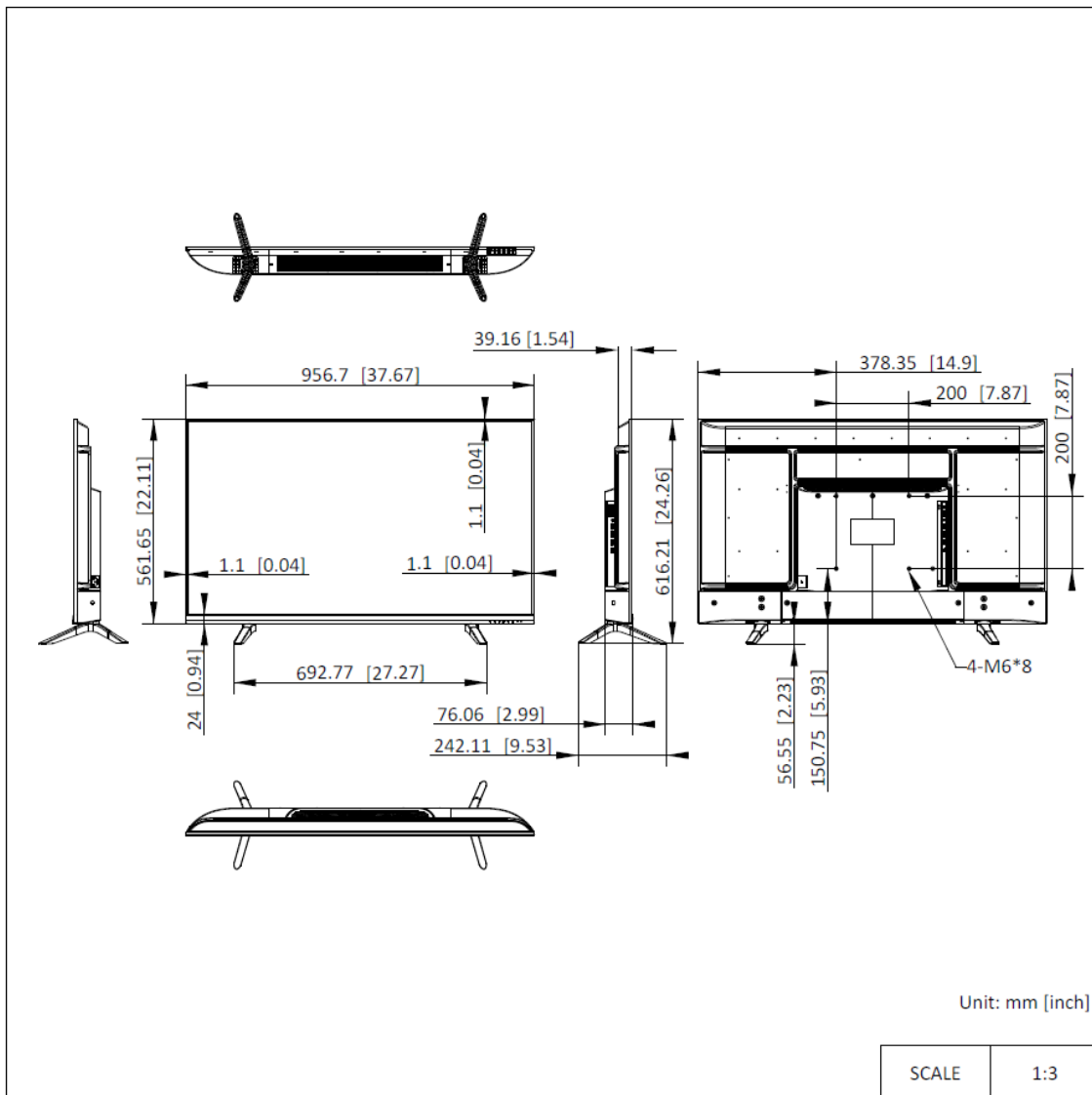
Data Transmission Interface	USB2.0 ×2, 1000M LAN × 1, RELAY IN × 1, RELAY OUT × 2
Control Interface	CONSOLE × 1, RS485 × 1
Power	
Power Supply	100-240 V ~ , 50/60 Hz, 1.0 A Max
Power Consumption	≤80W
Standby Consumption	≤ 0.5 W
Working Environment	
Working Temperature	0 °C to 50 °C (41 °F to 104 °F)
Working Humidity	10% ~ 90% RH (Non-Condensing)
Storage Temperature	-20 °C to 60 °C (14 °F to 140 °F)
Storage Humidity	5% ~ 90% RH (Non-Condensing)
General	
Speaker	8 Ω 10 W ×2
Casing Material	Plastic
VESA	7.87 inch × 7.87 inch
Bezel Width	0.04 inch (top/left/right) , 0.94 inch (bottom)
Product Dimensions (W × H × D)	Without base: 956.7 (W) mm × 561.65 (H) mm × 76.06 (D) mm 37.67 (W) inch × 22.11 (H) inch × 2.99 (D) inch With base: 956.7 (W) mm × 616.21 (H) mm × 242.11 (D) mm 37.67 (W) inch × 24.26 (H) inch × 9.53 (D) inch
Package Dimensions (W × H × D)	1073 (W) mm × 668 (H) mm × 161 (D) mm 42.24 (W) inch × 26.3 (H) inch × 6.34 (D) inch
Net Weight	6.88 ± 0.5 kg (15.93 ± 1.1 lb.)
Gross Weight	9.77 ± 0.5 kg (22.11 ± 1.1 lb.)
Packing List	Monitor × 1, Base component × 1, Power cable × 1, HDMI cable (1.5 m) × 1, User manual × 1, Multilingual manual × 1, Remote control × 1, Screw × 6
Remarks	*The base is included by default. *The product appearance and parameters in this specification may vary from your actual device. Please consult our local sales staff for further information.

▪ Physical Interface

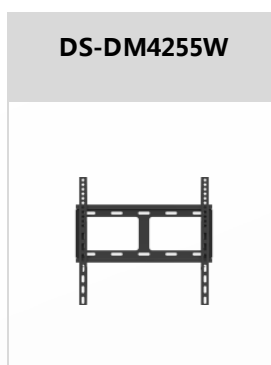


Interface	Description	Interface	Description
AC	AC, 100-240V~,50/60Hz,1.0A Max,input interface	HDMI	HDMI 2.0 digital signal input interface
Audio Out	3.5mm Audio output interface	USB	USB2.0 interface
USB	USB2.0 interface	CONSOLE	Debug Interface(Only used by vendor staff)
LAN	1000M BASE-T interface	RELAY	Relay output interface × 2
IO	Relay input interface	RS485	RS485 Control interface

▪ Dimension



- Accessory
- Optional



See Far, Go Further



www.hikvision.com
support@hikvision.com

