

# DS-TT-X41T

## Field Monitor

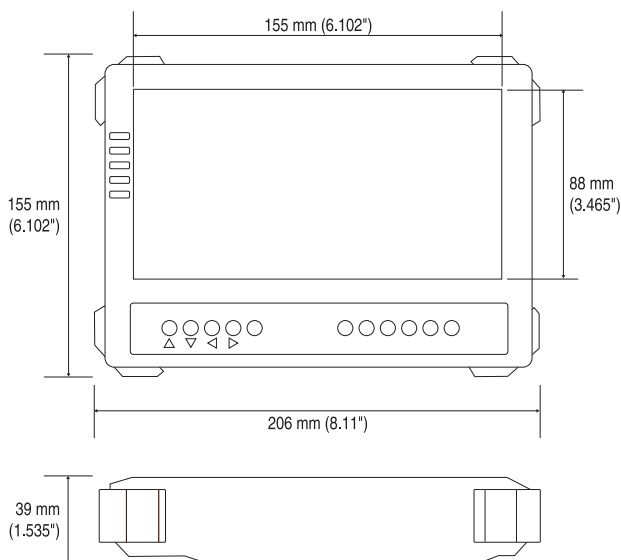


DS-2TT-X41T	
Inputs	TurboHD (HD-TVI 2.0), HDMI 1.0, VGA, and CVBS
Resolution and Frame Rate	TurboHD (HD-TVI 2.0) — Up to 720p @ 25/30/50/60 fps, 1080p @ 25/30 fps
Video Formats	CVBS with PAL/NTSC/SECAM auto select
Menu	OSD menu
Display	7" TFT active matrix LCD monitor
Up-the-Coax (UTC) Controls	UTC control of menus for TurboHD cameras and PTZs (Hikvision-C control protocol)
Power Output	12 VDC, 2 A., 24 W maximum (to power cameras)
Internal Battery	Rechargeable 18650 3-cell 2600 mA Li-Ion battery, 12 VDC with 6 A. protection board
Power Consumption	≤ 6 W
Charger	12.6 VDC
Housing	ABS + PC

### Key Features

- TurboHD (HD-TVI 2.0), HDMI 1.0, VGA, and CVBS Inputs
- TurboHD: Up to 720p @ 25/30/50/60 fps, 1080p @ 25/30 fps
- CVBS with PAL/NTSC/SECAM Auto
- 12 VDC Output to Power Camera
- CVBS Color Bar Output (or if VGA Signal Not Present)
- Hikvision-C Up-the-Coax (UTC) Control

### Dimensions



### Order Models

DS-TT-X41T