



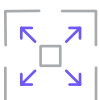
BULLET



Available in wide and tele lenses for flexible coverage



Simple to install with innovative sliding body design and easy onboarding



Dynamic resolution up to 4K



Built-in AI video and audio analytics and on-device storage



Factory-installed certificates backed by a trusted platform module (TPM)



Designed and developed in Norway and the UK

Image sensor

8MP (4K) or 5MP

Image sensor size format

1/1.8"

Lens (wide)

Focal length: 4.3-10.8mm

Aperture: $f/1.38$ - $f/2.8$

Zoom

Lens (tele)

Focal length: 11-28mm

Aperture: $f/1.47$ - $f/1.69$

Zoom

Zoom

2.5x

IR night vision

Automatic night mode

IR-cut filter

850 nm IR LED

Color night vision*

*To be confirmed

Field of view (wide)

100°-40° Horizontal

53°-23° Vertical

Field of view (tele)

39°-16° Horizontal

23°-9° Vertical

Maximum resolution & Frame rate 8MP (4K)

3840x2160@30fps

Maximum resolution & Frame rate 5MP

3072x1728@30fps

Dynamic range

Multi-exposure line-based HDR

Audio

Microphone array (4x microphones)

Audio classification

Audio localization

Security

Trusted Platform Module (TPM 2.0), Factory installed certificates, No default passwords, Mandatory access authentication, HTTPS/TLS encryption

Video compression

H.265, H.264, Motion JPEG

Network protocols

IPv4, HTTPS, TLS, DNS, mDNS, DNS-SD,

NTP, RTSP, RTP, RTCP, ICMP, DHCP, ARP

Streaming: RTP/UDP, RTP/RTSP/HTTPS/TCP

Power source

PoE+ (802.3at Type 2), normal operation

PoE (802.3 af), without heat and IR

USB-C, installation only

Power consumption

Typical: 5 W

Max without heater, with IR: 12.95 W

Max with heater: 23 W

Storage

2x MicroSD, SDXC UHS-I

Connection

802.3u 10/100 Ethernet

USB-C for preview and setup

Installation aid

Versatile bracket, mounts to standard back boxes. Refer to technical drawing.

Adjustment range

Pan, Tilt, Roll

Impact resistance

IK10 (IEC/EN 62262)

Ingress protection

IP66, IP67 (IEC/EN 60529)

Temperature

Operating: -25°C to +50°C

Storage: -40°C to +60°C

Physical characteristics

Dimensions: 284x86x108mm

Weight: 1.33 kg

Body: Aluminum

EMC

EN55032, EN 61000-6-4, EN 61000-3-2, EN

61000-3-3, EN50130-4 CISPR 32, AS/NZS

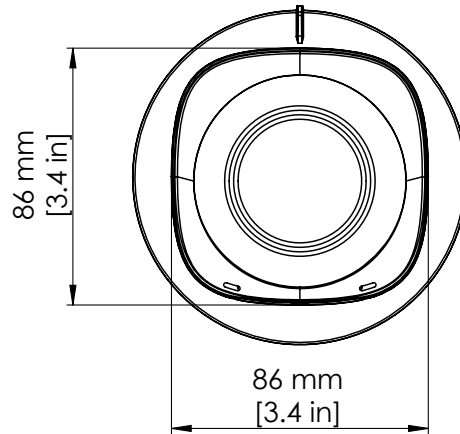
CISPR 32, FCC subpart 15B, ICES-003 Issue 7

Safety

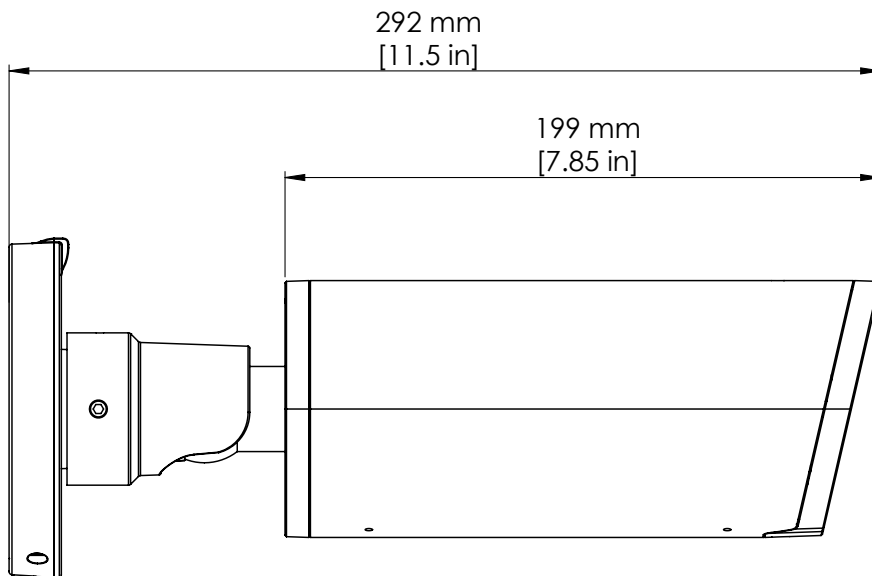
IEC62368-1, UL62368-1, IEC62471, NOM-019

Technical drawings

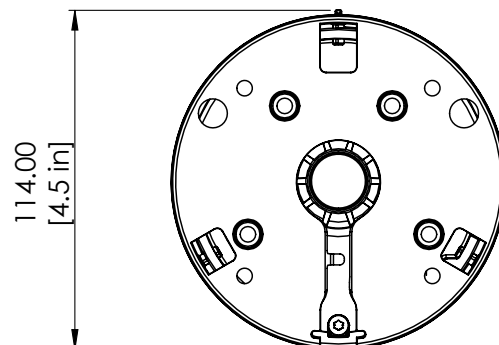
Front view



Side view



Rear view



Ordering information

Ava Bullet Tele

Product ID	Resolution	Onboard retention	Color
BULLET-TE-W	4K	No. Cloud Connector required	White
BULLET-TE-W-4K-30	4K	30 days	White
BULLET-TE-W-4K-60	4K	60 days	White
BULLET-TE-W-5MP	5MP	No. Cloud Connector required	White
BULLET-TE-W-5MP-30	5MP	30 days	White
BULLET-TE-W-5MP-60	5MP	60 days	White
BULLET-TE-W-5MP-120	5MP	120 days	White
BULLET-TE-B	4K	No. Cloud Connector required	Black
BULLET-TE-B-4K-30	4K	30 days	Black
BULLET-TE-B-4K-60	4K	60 days	Black
BULLET-TE-B-5MP	5MP	No. Cloud Connector required	Black
BULLET-TE-B-5MP-30	5MP	30 days	Black
BULLET-TE-B-5MP-60	5MP	60 days	Black
BULLET-TE-B-5MP-120	5MP	120 days	Black

Ordering information

Ava Bullet Wide

Product ID	Resolution	Onboard retention	Color
BULLET-WI-W	4K	No. Cloud Connector required	White
BULLET-WI-W-4K-30	4K	30 days	White
BULLET-WI-W-4K-60	4K	60 days	White
BULLET-WI-W-5MP	5MP	No. Cloud Connector required	White
BULLET-WI-W-5MP-30	5MP	30 days	White
BULLET-WI-W-5MP-60	5MP	60 days	White
BULLET-WI-W-5MP-120	5MP	120 days	White
BULLET-WI-B	4K	No. Cloud Connector required	Black
BULLET-WI-B-4K-30	4K	30 days	Black
BULLET-WI-B-4K-60	4K	60 days	Black
BULLET-WI-B-5MP	5MP	No. Cloud Connector required	Black
BULLET-WI-B-5MP-30	5MP	30 days	Black
BULLET-WI-B-5MP-60	5MP	60 days	Black
BULLET-WI-B-5MP-120	5MP	120 days	Black